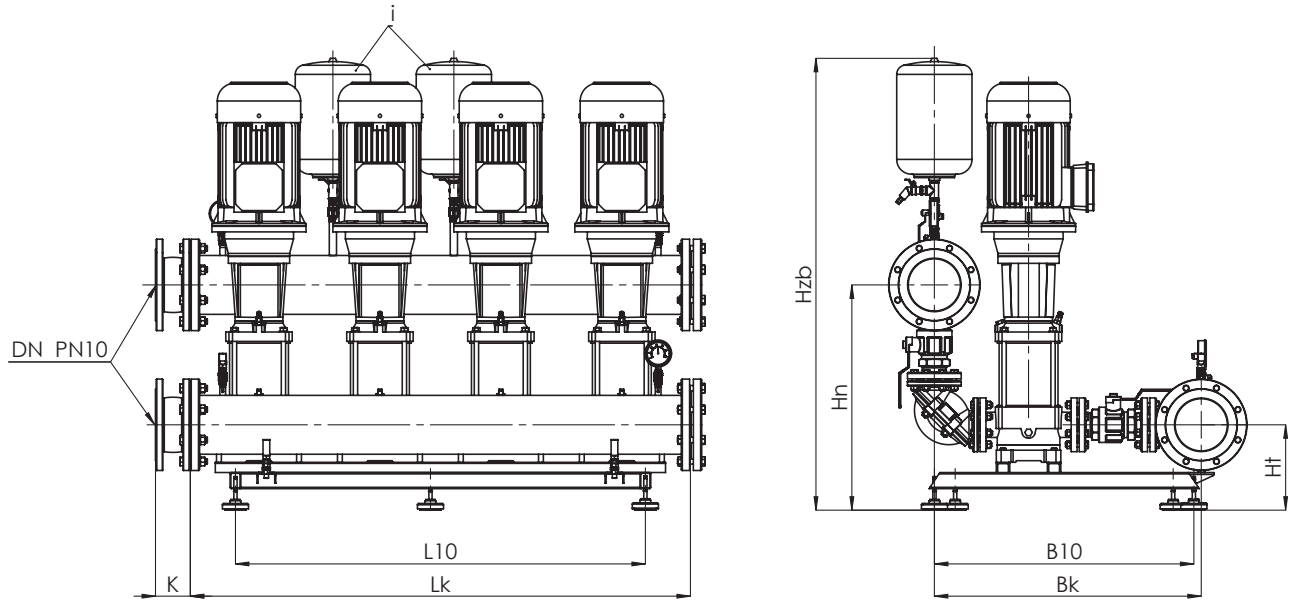
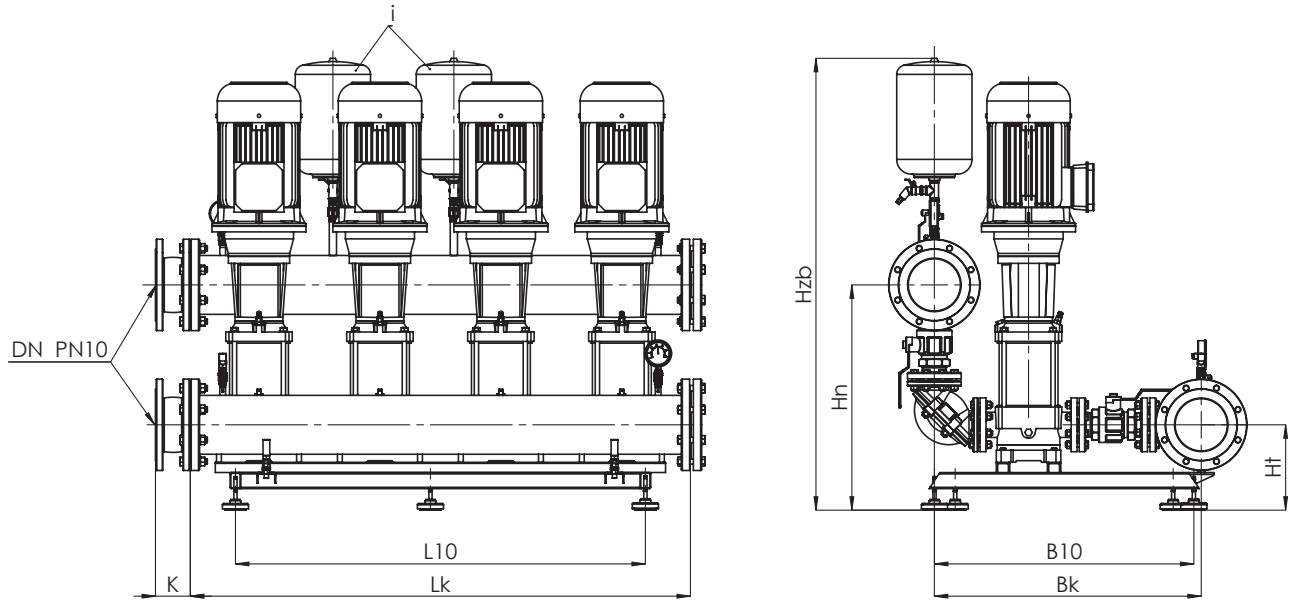


ZHF.7 - kołnierzowy



Typ zestawu	Moc [kW]	L k	L10	B10	B k	H n	H t	H zb	DN	i	Masa bez szafy
ZHF.7.A1.2	2 x 3,00	860	525	960	970	315	810	1600	DN150	1	351
ZHF.7.A1.3	3 x 3,00	1210	875	960	995	315	835	1650	DN200	1	534
ZHF.7.A1.4	4 x 3,00	1560	1225	850	995	315	835	1650	DN200	2	682
ZHF.7.A1.5	5 x 3,00	1900	1575	960	1020	360	905	1750	DN250	3	879
ZHF.7.A1.6	6 x 3,00	2248	1885	960	1020	360	905	1750	DN250	3	1022
ZHF.7.01.2	2 x 4,00	860	525	960	970	315	810	1600	DN150	1	359
ZHF.7.01.3	3 x 4,00	1210	875	960	995	315	835	1650	DN200	1	546
ZHF.7.01.4	4 x 4,00	1560	1225	850	995	315	835	1650	DN200	2	698
ZHF.7.01.5	5 x 4,00	1900	1575	960	1020	360	905	1750	DN250	3	899
ZHF.7.01.6	6 x 4,00	2248	1885	960	1020	360	905	1750	DN250	3	1046
ZHF.7.B2.2	2 x 5,50	860	525	960	970	315	810	1600	DN150	1	425
ZHF.7.B2.3	3 x 5,50	1210	875	960	995	315	835	1650	DN200	1	645
ZHF.7.B2.4	4 x 5,50	1560	1225	850	995	315	835	1650	DN200	2	830
ZHF.7.B2.5	5 x 5,50	1900	1575	960	1020	360	905	1750	DN250	3	1064
ZHF.7.B2.6	6 x 5,50	2248	1885	960	1020	360	905	1750	DN250	3	1244
ZHF.7.02.2	2 x 7,50	860	525	960	970	315	810	1600	DN150	1	429
ZHF.7.02.3	3 x 7,50	1210	875	960	995	315	835	1650	DN200	1	651
ZHF.7.02.4	4 x 7,50	1560	1225	850	995	315	835	1650	DN200	2	838
ZHF.7.02.5	5 x 7,50	1900	1575	960	1020	360	905	1750	DN250	3	1074
ZHF.7.02.6	6 x 7,50	2248	1885	960	1020	360	905	1750	DN250	3	1256
ZHF.7.B3.2	2 x 11,00	960	625	960	970	315	810	1600	DN150	1	500
ZHF.7.B3.3	3 x 11,00	1410	1075	960	995	315	835	1650	DN200	1	749
ZHF.7.B3.4	4 x 11,00	1860	1525	960	995	315	835	1650	DN200	2	969
ZHF.7.B3.5	5 x 11,00	2300	1975	955	1020	360	905	1780	DN250	3	1232
ZHF.7.B3.6	6 x 11,00	2750	2425	955	1020	360	905	1780	DN250	3	1459

ZHF.7 - kołnierzowy



Typ zestawu	Moc [kW]	L k	L10	B10	B k	H n	H t	H zb	DN	i	Masa bez szafy
ZHF7.03.2	2 x 11,00	960	625	960	970	315	810	1600	DN150	1	520
ZHF7.03.3	3 x 11,00	1410	1075	960	995	315	835	1650	DN200	1	779
ZHF7.03.4	4 x 11,00	1860	1525	960	995	315	835	1650	DN200	2	1009
ZHF7.03.5	5 x 11,00	2300	1975	955	1020	360	905	1780	DN250	3	1282
ZHF7.03.6	6 x 11,00	2750	2425	955	1020	360	905	1780	DN250	3	1519
ZHF7.B4.2	2 x 15,00	960	625	960	970	315	810	1600	DN150	1	520
ZHF7.B4.3	3 x 15,00	1410	1075	960	995	315	835	1650	DN200	1	779
ZHF7.B4.4	4 x 15,00	1860	1525	960	995	315	835	1650	DN200	2	1009
ZHF7.B4.5	5 x 15,00	2300	1975	955	1020	360	905	1780	DN250	3	1282
ZHF7.B4.6	6 x 15,00	2750	2425	955	1020	360	905	1780	DN250	3	1519
ZHF7.04.2	2 x 15,00	960	625	960	970	315	810	1600	DN150	1	578
ZHF7.04.3	3 x 15,00	1410	1075	960	995	315	835	1650	DN200	1	866
ZHF7.04.4	4 x 15,00	1860	1525	960	995	315	835	1650	DN200	2	1125
ZHF7.04.5	5 x 15,00	2300	1975	955	1020	360	905	1780	DN250	3	1427
ZHF7.04.6	6 x 15,00	2750	2425	955	1020	360	905	1780	DN250	3	1693
ZHF7.B5.2	2 x 18,00	960	625	960	970	315	810	1600	DN150	1	578
ZHF7.B5.3	3 x 18,00	1410	1075	960	995	315	835	1650	DN200	1	866
ZHF7.B5.4	4 x 18,00	1860	1525	960	995	315	835	1650	DN200	2	1125
ZHF7.B5.5	5 x 18,00	2300	1975	955	1020	360	905	1780	DN250	3	1427
ZHF7.B5.6	6 x 18,00	2750	2425	955	1020	360	905	1780	DN250	3	1693